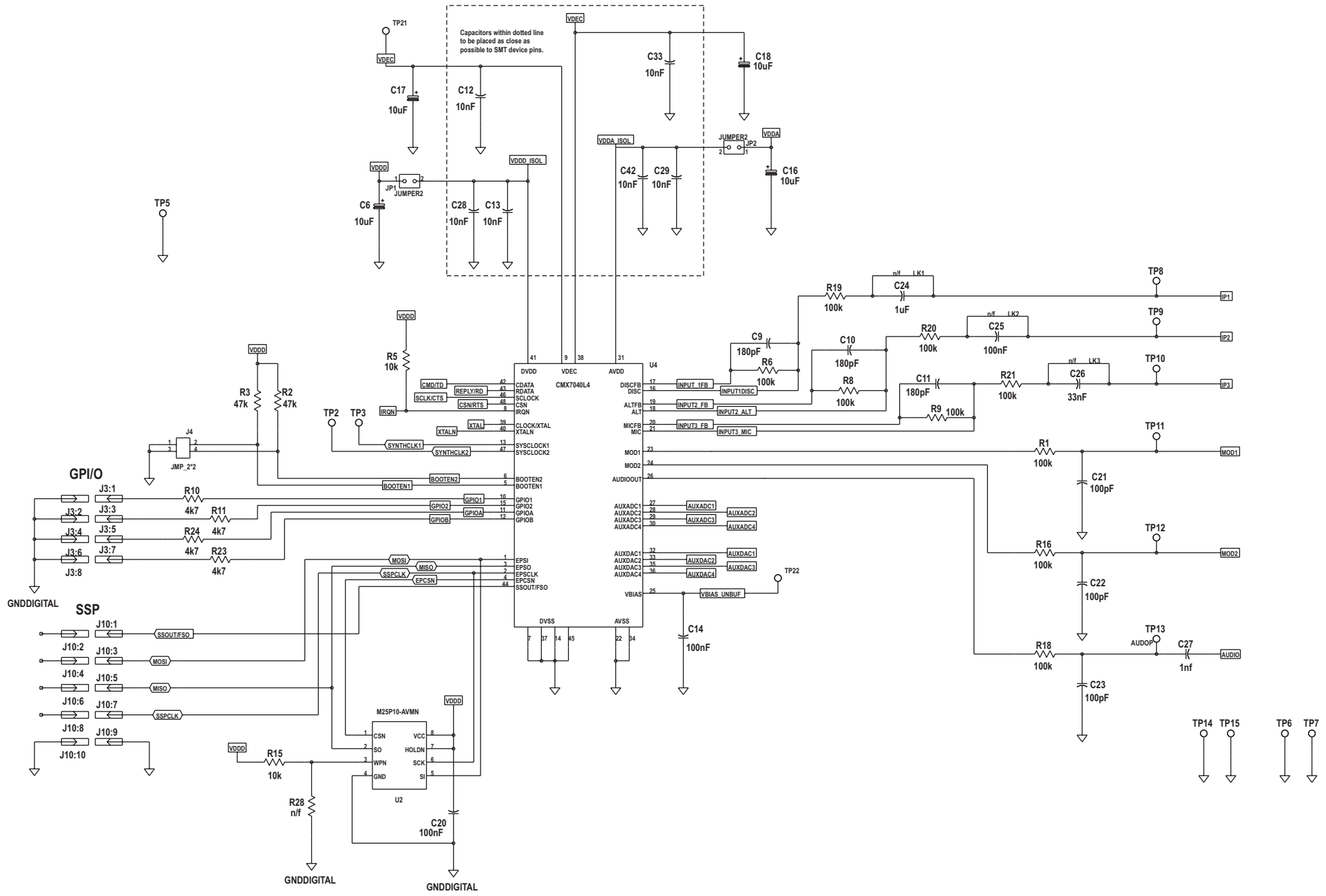




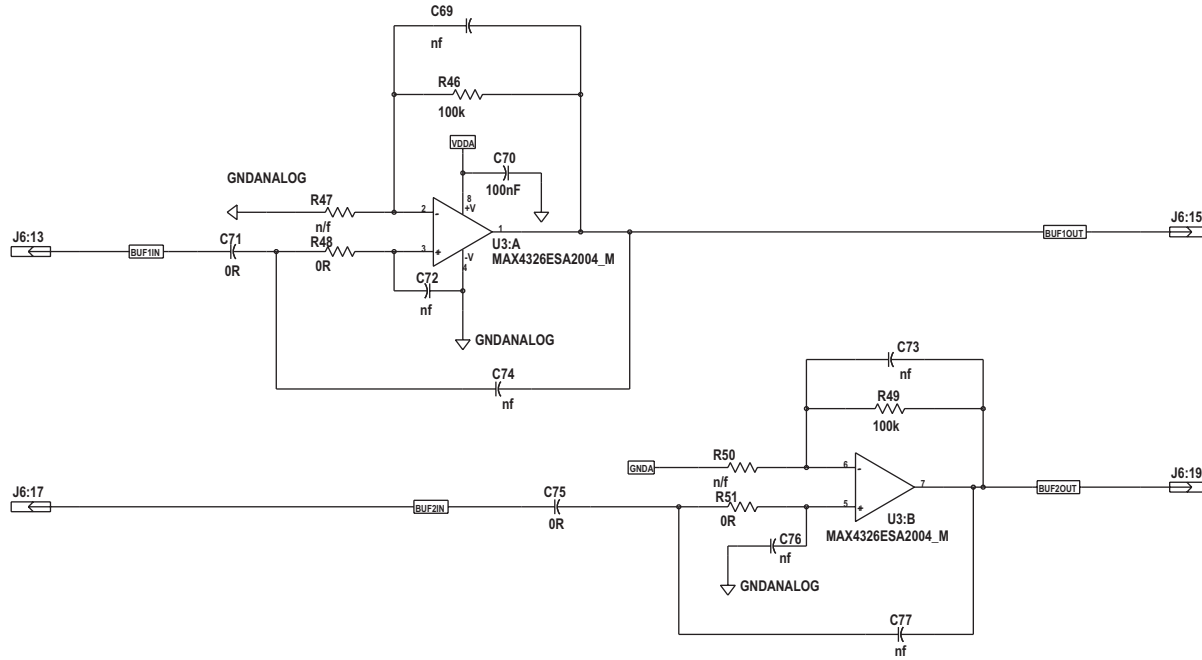
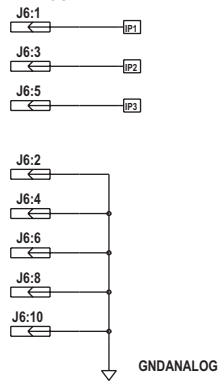
**CML Microcircuits**

*COMMUNICATION SEMICONDUCTORS*

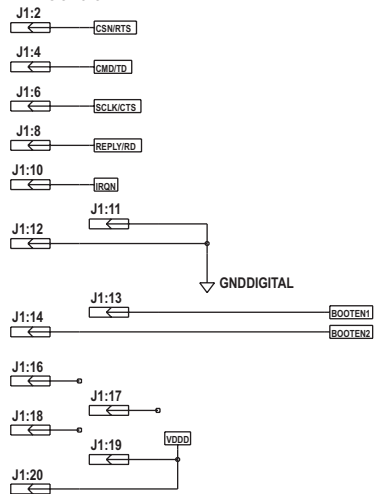
**High Resolution  
Circuit Diagrams  
for  
PE0402**



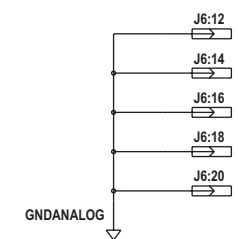
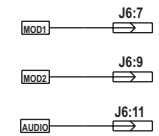
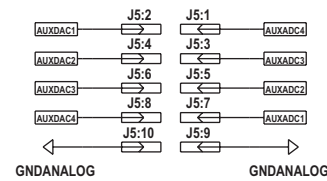
### Analogue I/O

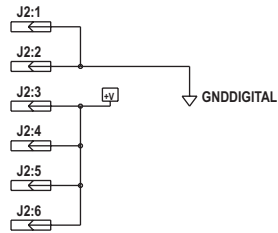
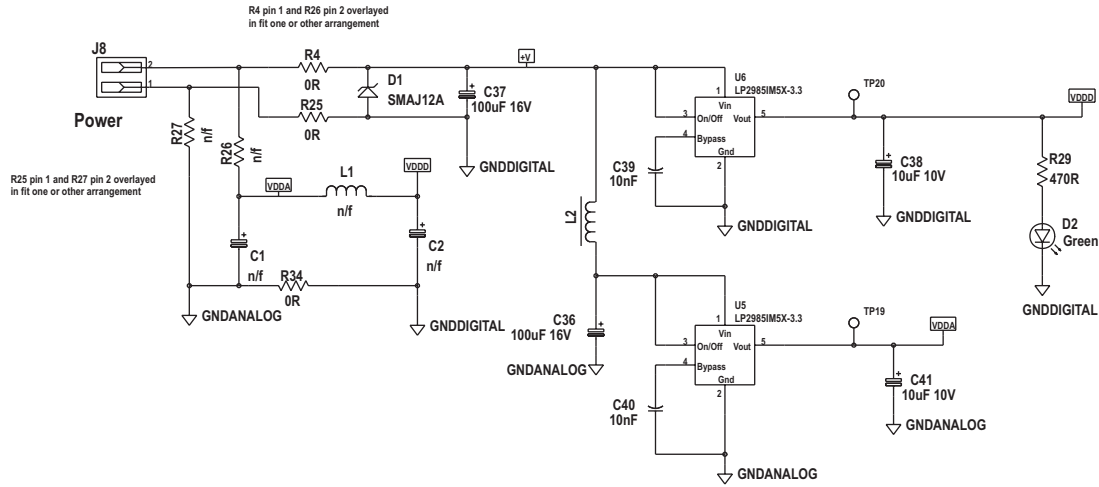


### C-Bus Control



### Aux. DAC/ADC





Daisy Chain +5volts from PE0002

Device clocking options

